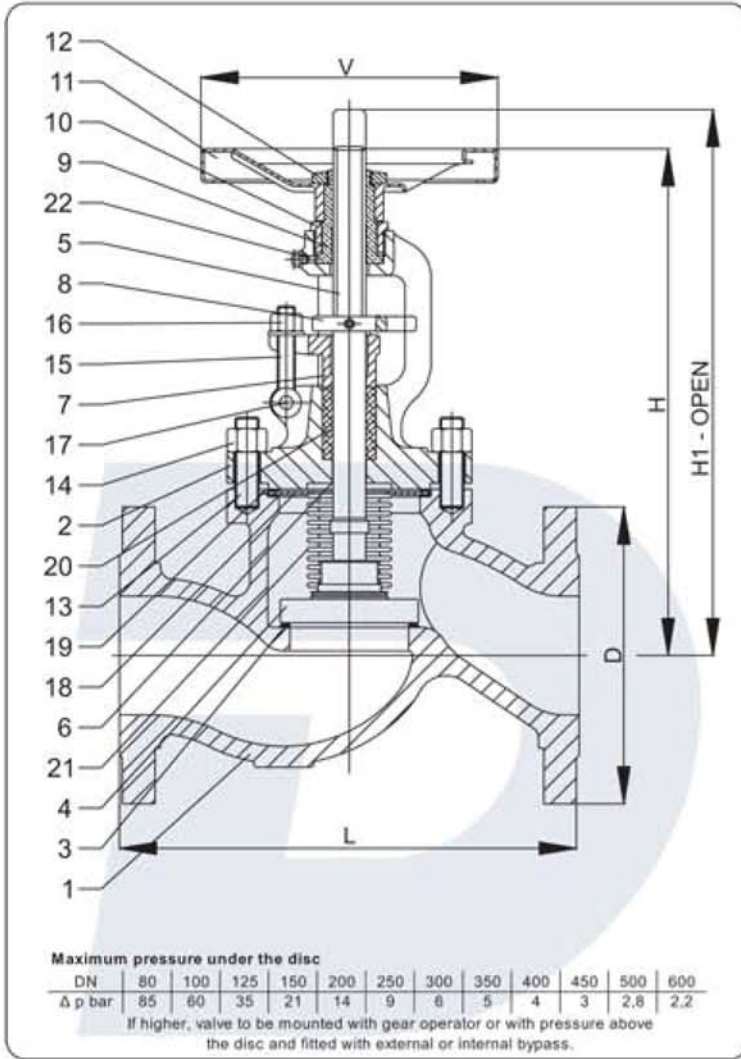


GLOBE VALVES - BELLOW SEAL

GLOB VANA METAL KÖRÜKLÜ

DemirVana



standard features

- Description** BOLTED BONNET
OUTSIDE SCREW AND YOKE
RISING STEM
NON RISING HANDWHEEL
- Design** DIN 3352
DIN 3840
- Face to face** DIN 3202
- Flanges** DIN 2501
DIN 2547
DIN 2526 FORM E
BW TO DIN 3239
- Testing** DIN 3352 Part 1
DIN 3230 Part 3
- Rating** DIN 2401
- Marking** EN 19
CE - PED
- Certificates** EN 10204 – 3.1 B

PART NAME	S1800 - (NODULAR IRON)	A1670 - A1560SO - A1570SO	FK1670 - FK1560SO - FK1570SO
1 Body	EN-GJS-400-18-LT	1.0619 (A)	1.4581
2 Bonnet	EN-GJS-400-18-LT	1.0619 (B)	1.4581
3 Seat surface	X20Cr13 (1)	X20Cr13 (1) overlay	1.4581 (1)
4 Disc seat surface	X20Cr13 (1)	X20Cr13 (1)	X5CrNiMo17-12-2 (1)
5 Stem	X20Cr13 (2)	X20Cr13 (2)	X5CrNiMo17-12-2 (2)
6 Back seat (integral)	EN-GJS-400-18-LT	1.0619 (B)	1.4581
7 Gland	1.0460	1.0460	X5CrNiMo17-12-2
8 No rot. Device	X20Cr13	X20Cr13	X5CrNiMo17-12-2
9 Yoke sleeve	N/A	MS58 (3)	MS58 (3)
10 Yoke nut	1.0460	1.0460	X5CrNiMo17-12-2
11 Handwheel	Steel	Steel	Steel
12 Handwheel nut	1.0460	1.0460	X5CrNiMo17-12-2
13 Bolts	CK35	CK35	A2-70
14 Nuts	C35	C35	A2-70
15 Eye bolts	CK35	CK35	A2-70
16 Nuts	C35	C35	A2-70
17 Eye bolt pin	CK35	CK35	A2-70
18 Bellow flange	X6CrNiTi18-10	X6CrNiTi18-10	X6CrNiTi18-10
19 Gasket	S. S. reinforced graphite (4)	S. S. reinforced graphite (4)	S. S. reinforced graphite (4)
20 Packing	Graphite rings & wiper rings (4)	Graphite rings & wiper rings (4)	Graphite rings & wiper rings (4)
21 Bellow	X6CrNiTi18-10	X6CrNiTi18-10	X6CrNiTi18-10
22 Grease nipple	Steel	Steel	Steel



Demir Vana ve Kontrol Elemanları Makina San. Tic. Ltd. Şti

Merkez Ofis: İkitelli OSB Pik Dökümcüler San.Sit CA Blok No:3 Başakşehir/İstanbul
Tel: +90 212 297 57 30 Fax: +90 212 297 57 33 E-mail: dv@demirvana.com Web: www.demirvana.com

GLOBE VALVES -BELLOW SEAL

GLOB VANA METAL KÖRÜKLÜ



FIG. 1800 - GLOBE VALVES BELLOW SEAL - DIN PN 16 / 25 - NODULAR IRON - F1

SIZE DN	15	20	25	32	40	50	65	80	100	125	150	175	200	250	300	350	400	450	500	600
L RF	130	150	160	180	200	230	290	310	350	400	480	550	600	730	850	980	1100	1200	1250	1450
D	95	105	115	140	150	165	185	200	220	250	285	315	340	405	460	520	580	640	715	840
V	100	100	125	125	150	150	200	200	225	225	300	300	400	500	500	600	600	700	700	800
H	180	190	210	250	290	340	380	450	500	570	650	770	840	950	1100	1250	1500	1650	1850	--
H1	184	195	217	258	300	353	397	470	525	602	688	814	890	1013	1175	1338	1600	1763	1975	--

FIG. 1670 - GLOBE VALVES BELLOW SEAL - DIN PN 25 / 40 - F1

SIZE DN	15	20	25	32	40	50	65	80	100	125	150	175	200	250	300	350	400	450	500	600
L RF/BW	130	150	160	180	200	230	290	310	350	400	480	550	600	730	850	980	1100	1200	1250	1450
D - PN25	95	105	115	140	150	165	185	200	235	270	300	330	360	425	485	555	620	670	730	845
D - PN40	95	105	115	140	150	165	185	200	235	270	300	350	375	450	515	580	660	685	755	890
V	100	100	125	125	150	150	200	200	225	225	300	300	400	500	500	600	600	700	700	800
H	210	220	220	220	240	270	310	350	400	460	510	600	630	810	950	1100	1350	1460	1660	--
H1	214	225	227	228	250	283	327	370	425	492	548	594	680	813	925	1088	1300	1513	1725	--

FIG. 1560SO - GLOBE VALVES BELLOW SEAL - DIN PN 63 - F2

SIZE DN	15	20	25	32	40	50	65	80	100	125	150	175	200	250	300	350	400	500	600	--
L RF/BW	210	230	230	260	260	300	340	380	430	500	550	600	650	775	900	1025	1150	1400	1600	--
D	105	130	140	155	170	180	205	215	250	295	345	375	415	470	530	600	670	800	930	--
V	150	150	150	200	200	200	225	250	300	400	500	500	600	700	700	800	800	1000	1200	--
H	300	360	360	380	400	430	460	510	540	610	670	760	810	860	990	--	--	--	--	--
H1	304	365	367	388	410	443	477	530	565	642	708	804	860	923	1065	--	--	--	--	--

FIG. 1570SO - GLOBE VALVES BELLOW SEAL - DIN PN 100 - F2

SIZE DN	15	20	25	32	40	50	65	80	100	125	150	175	200	250	300	--	--	--	--	--
L RF/BW	210	230	230	260	260	300	340	380	430	500	550	600	650	775	900	--	--	--	--	--
D	105	130	140	155	170	195	220	230	265	315	355	385	430	505	585	--	--	--	--	--
V	150	150	150	200	200	200	225	250	300	400	500	500	600	700	700	--	--	--	--	--
H	300	360	360	380	400	450	530	560	630	660	690	780	840	890	1030	--	--	--	--	--
H1	304	365	367	388	410	463	547	580	655	692	728	824	890	953	1105	--	--	--	--	--

features on request

- TOP FLANGE TO ISO 5210
- GEAR OPERATOR
- CHAIN WHEEL OPERATOR
- PNEUMATIC ACTUATOR
- HYDRAULIC ACTUATOR
- ELECTRIC ACTUATOR
- POSITION INDICATOR
- LIMIT SWITCHES
- LOCKING / INTERLOCK SYSTEM
- PTFE SOFT SEATS
- STEM PROTECTION / EXTENSION
- REGULATING DISC
- DOUBLE STAGE DISC
- STOP CHECK DISC
- LIVE LOADED PACKING
- DRAIN PLUG
- BW ENDS
- ANSI CONNECTIONS



Demir Vana ve Kontrol Elemanları Makina San. Tic. Ltd. Şti

Merkez Ofis: İkitelli OSB PİK Dökümcüler San.Sit CA Blok No:3 Başakşehir/İstanbul

Tel: +90 212 297 57 30 **Fax:** +90 212 297 57 33 **E-mail:** dv@demirvana.com **Web:** www.demirvana.com