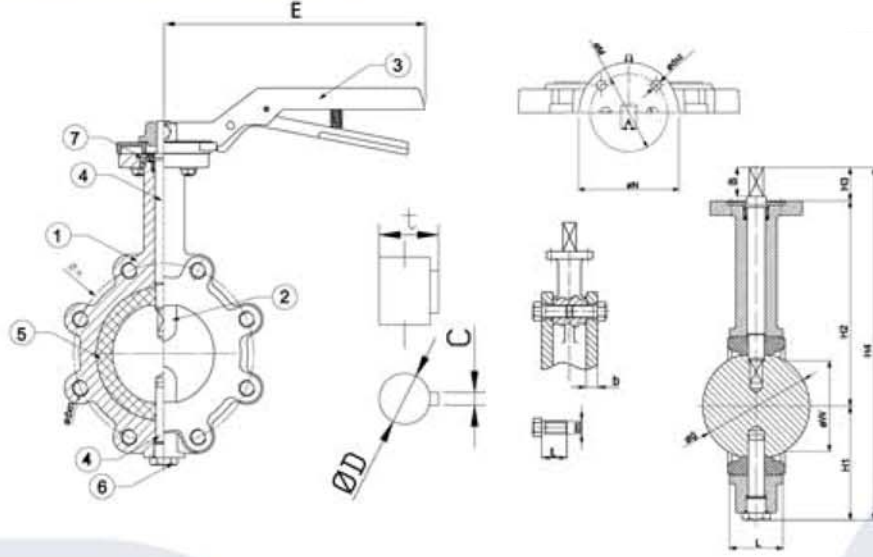


LUG BUTTERFLY VALVES

LUG KELEBEK VANA

DemirVana



MALZEME ÖZELLİKLERİ / MATERIALS

NO	PARÇA ADI	PART NAME	MALZEME	MATERIAL
1	GÖVDE	BODY	GG25 / GGG40	GG25 / GGG40
2	KLAPE	DISC	GGG40.3 / NİKEL KAPLAMA	GGG40.3 / NICKEL PLATED
3	KOL	LEVER	GGG40	GGG40
4	ÜST / ALT MİL	TOP / BOTTOM STEM	PASLANMAZ ÇELİK	STAINLESS STEEL
5	SIZDIRMAZLIK YATAĞI	SEAT	EPDM / NBR	EPDM / NBR
6	TAPA	PLUG	ÇELİK	STEEL
7	SALMASTRA	PACKING	FIBER GLASS	FIBER GLASS

Tüm boyalar diğeri kutulu pnömattik, elektrik aktüatörlü olabilir.
All sizes can be equipped with gearbox or pneumatic, electric actuator.

DN	PN 10						PN 16						ØD	c	t	E
	k	n	ød	Flanş Kal. Thickness (mm)	CIVATA / BOLT	Adet (Qty)	k	n	ød	Flanş Kal. Thickness (mm)	CIVATA / BOLT	Adet (Qty)				
40	110	4	19	18	M16x30	8	110	4	19	18	M16x30	8				
50	125	4	19	20	M16x35	8	125	4	19	20	M16x35	8				210
65	145	4	19	20	M16x35	8	145	4	19	20	M16x35	8				
80	160	8	19	20	M16x35	16	160	8	19	20	M16x35	16				
100	180	8	19	22	M16x45	16	180	8	19	22	M16x45	16				
125	210	8	19	22	M16x45	16	210	8	19	22	M16x45	16				265
150	240	8	23	24	M20x50	16	240	8	23	24	M20x50	16				
200	295	8	23	24	M20x50	16	295	12	23	26	M20x50	24				
250	350	12	23	26	M20x55	24	355	12	28	29	M24x60	24				355
300	400	12	23	26	M20x60	24	410	12	28	32	M24x65	24				
350	460	12	23	28	M20x70	24	470	16	28	35	M24x75	32	31.8	8	35.1	
400	515	16	28	32	M24x80	32	525	16	31	38	M27x85	32	33.3	10	36.6	
450	565	16	28	36	M24x90	32	585	20	31	42	M27x95	40	38.1	10	41.4	
500	620	20	28	38	M24x95	40	650	20	34	46	M30x105	40	41.3	10	44.6	
600	725	20	31	42	M27x115	40	770	20	37	52	M30x125	40	50.8	16	55.10	

DN	øg	H1	H2	H3	H4	B	L	W	Mil / Stem	TEPE FLANŞI / TOP FLANGE (ISO 5211)				Ağırlık (Weight) Kg.
										A	TİP (TYPE)	øN	øM	
40	42.5	77	144	32.5	254	32	33	26.8	11	F05	65	50	7x4	2.5
50	53	81	162	32.5	275.5	32	43	31	11	F05	65	50	7x4	3
65	65	87	175.5	32.5	295	32	46	45.9	11	F05	65	50	7x4	3.5
80	79	99	193	32.5	324.5	32	46	62.2	11	F05	65	50	7x4	4
100	104.5	111	200	32.5	343.5	32	52	90.6	14	F07	90	70	9x4	6
125	121.5	132	218	33	383	32	56	110	17	F07	90	70	9x4	7
150	156	144.5	226	33	403.5	32	56	145.6	17	F07	90	70	9x4	9
200	203	185.5	280	40.5	506	39.5	60	193.9	17	F10	125	102	12x4	14
250	251	208.5	314.5	40.5	563.5	39.5	68	241.6	22	F10	125	102	12x4	20
300	302.5	251	354	40.5	645.5	39.5	78	292.3	22	F10	125	102	12x4	33
350	354	277	388	45	710	44	92	341.8	22	F10	125	102	12x4	49
400	402	308	416	51	775	50	102	388.8	27	F14	175	140	18x4	90
450	455	342	455	51	848	50	114	445.6	27	F14	175	140	18x4	110
500	492.5	374	490	64	928	63	127	480.5	36	F16	210	165	22x4	150
600	582	459	562	70	1091	69	154	566.4	36	F16	210	165	22x4	242

SICAKLIK / BASINÇ TEMPERATURE / PRESSURE	
°C	-10..... + 120
PN	10/16
UYGULAMALAR	APPLICATIONS
• HVAC Sistemleri	• HVAC Systems
• Arıtma Tesisleri	• Water treatment systems
• Kağıt Endüstrisi	• Paper Industry
• Tatlı su tesisatları	• Fresh water system
• Deniz suyu	• Sea water



Demir Vana ve Kontrol Elemanları Makina San. Tic. Ltd. Şti

Merkez Ofis : İkitelli OSB Pik Dökümcüler San.Sit CA Blok No:3 Başakşehir/İstanbul

Tel : +90 212 297 57 30 Fax : +90 212 297 57 33 E-mail : dv@demirvana.com Web : www.demirvana.com