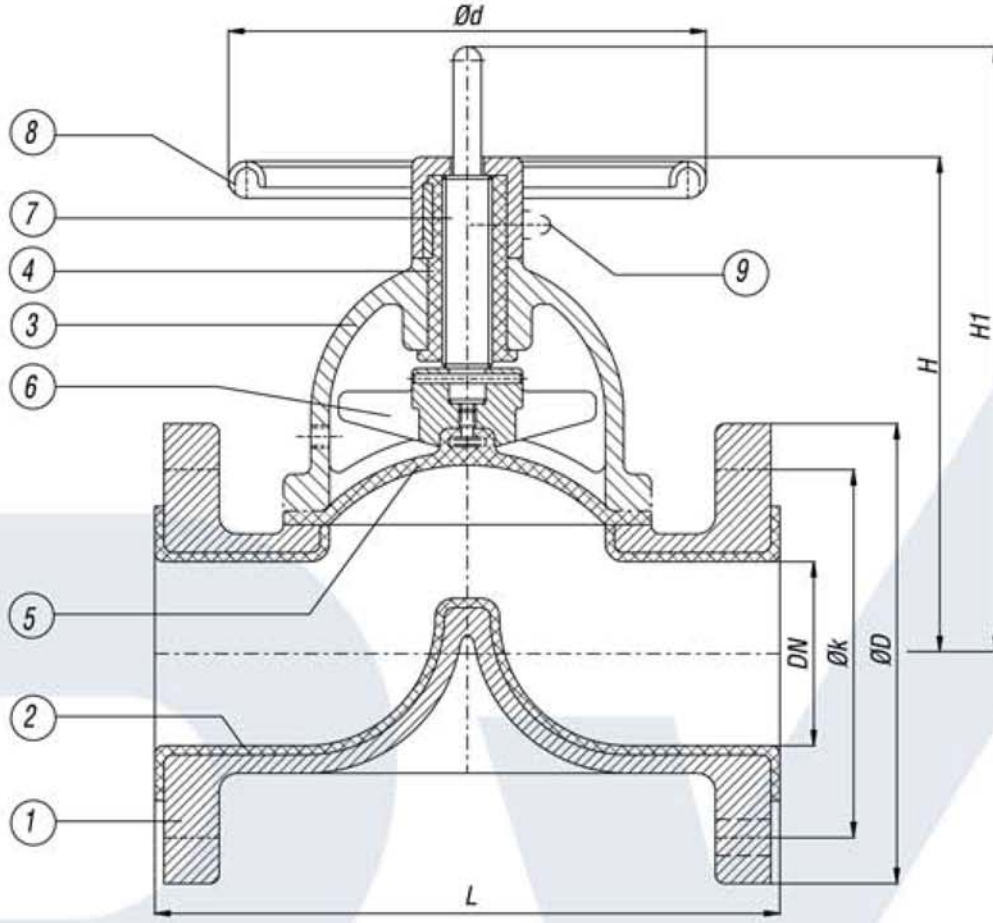


MEMBRANE VALVE DİYAFRAM VANA

DemirVana



NO	PART NAME	PARÇA ADI	MATERIAL / MALZEME
1	Body	Gövde	GG 25/GGG-40/GS-C 25
2	Rubber	Astar	HRL,BL,HL
3	Bonnet	Kapak	GG 25/GGG-40/GS-C 25
4	Bush	Burc	Ms 58-Bronze
5	Membrane	Diyafram	EPDM,BUNA-N
6	Valve head	Klavuz	GG 25/GGG-40/GS-C 25
7	Stem	Mil	1.4021-AISI 304
8	Handwheel	El çarkı	GG 25/St
9	Oil nipple	Gresörlük	St

Nominal pressure / Anma Basıncı	PN	PN 10/PN16																		
Nominal Diameter / Anma Çapı	DN	15	20	25	32	40	50	65	80	100	125	150	200	250	300	350	400	450	500	
Valve Dimensions Vana Boyutları DIN 3202/2-F1 BS 5156	DIN L	130	150	160	180	200	230	290	310	350	400	480	600	730						
	BS L	106	117	127	146	159	190	216	254	305	356	406	521	635	749	921	749	921	921	
	H	75	100	110	125	145	175	195	235	265	320	375	530	630	730	810	775x2	850x2	875x2	
	H1	75	100	110	150	170	205	235	280	330	400	460	645	775	930	1030	975x2	1070x2	1095x2	
	Ød	80		100			120	140	160	200	250	280	320	360	400	500		630	800	
Flange Dimensions Flanş Ölçüleri DIN2501/TS 810 ASA 125/ASA 150 BS 4504	PN 10	D	95	105	115	140	150	165	185	200	220	250	285	340	395	445	505	565	615	670
		k	65	75	85	100	110	125	145	160	180	210	240	295	350	400	460	515	565	620
	PN 16	D	95	105	115	140	150	165	185	200	220	250	285	340	405	460	520	580	640	715
		k	65	75	85	100	110	125	145	160	180	210	240	295	355	410	470	525	585	650
	PN 40	D	95	105	115	140	150	165	185	200	235	270	300	375	450	515	580	660	685	755
		k	65	75	85	100	110	125	145	160	190	220	250	320	385	450	510	585	610	670
ASA 125 ASA 150	D	89	99	108	117	127	152.4	178	191	229	254	279.5	343	406	483	533	597	635	698.5	
	k	60	70	79	89	98.5	120.7	139.7	152.4	190.5	216	241.3	298.5	362	432	476.3	539.8	578	635	
Weight / Ağırlık	kg	2.5	3	3	6.5	7	9	14	18	26	50	66	130	190	295					



Demir Vana ve Kontrol Elemanları Makina San. Tic. Ltd. Şti

Merkez Ofis : İkitelli OSB Pik Dökümcüler San.Sit CA Blok No:3 Başakşehir/İstanbul

Tel : +90 212 297 57 30 Fax : +90 212 297 57 33 E-mail : dv@demirvana.com Web : www.demirvana.com