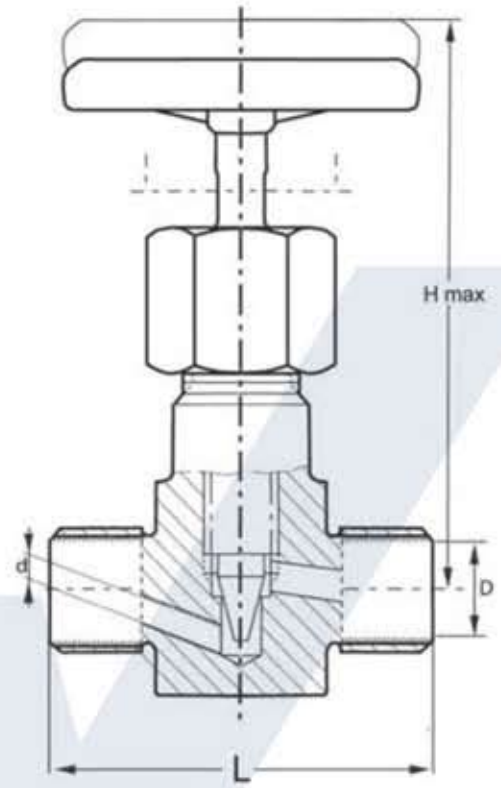


NEEDLE VALVE

İĞNE VANA

DemirVana

No	Part	Material
1	Body	Stainless steel AISI 304
2	Stem	Stainless steel AISI 304
3	Glandpacking	Graphite
4	Gland	Stainless steel AISI 304
5	Gland nut	Stainless steel AISI 304
6	Handwheel	Pressed steel
7		
8		
9		
10		



Variants:

Locked gland nut
NPT-threads

Other dimensions/materials on request

DN	D			d	L	Hmax	Max working-pressure		Weight Kg
							Mpa 20 °C	Mpa 300 °C	
6	1/8"			4	60	85	40,0	2,0	0,34
8	1/4"			5	60	85	40,0	2,0	0,38
10	3/8"			5	60	85	40,0	2,0	0,40
15	1/2"			5	60	85	40,0	2,0	0,42
20	3/4"			8	70	100	40,0	2,0	0,90
25	1"			10	78	110	40,0	2,0	1,05



Demir Vana ve Kontrol Elemanları Makina San. Tic. Ltd. Şti

Merkez Ofis : İkitelli OSB Pk Dökümcüler San.Sit CA Blok No:3 Başakşehir/İstanbul

Tel : +90 212 297 57 30 Fax : +90 212 297 57 33 E-mail : dv@demirvana.com Web: www.demirvana.com